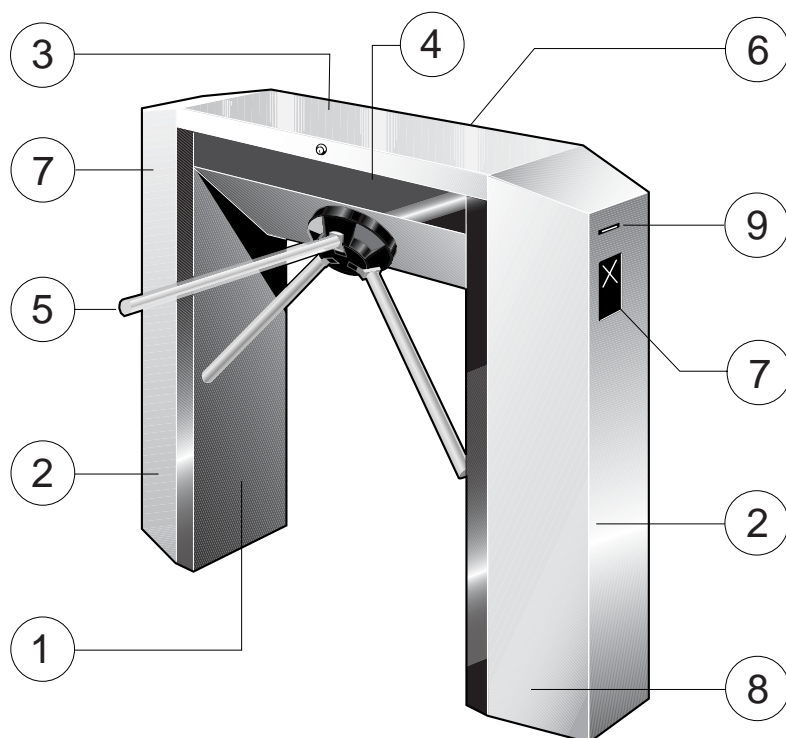


TR491 TRIPOD TURNSTILE WITH DROPPING ARMS

CE



NOTE: The illustrated pictogram (7) is optional.

The TR491 turnstile is designed to operate autonomously thanks to the integration of control devices such as: card readers, coin and token acceptors, etc.

The tripod mechanism includes an anti-panic device to automatically drop the horizontal tripod arm in case of power failure. The lane, which is then cleared, allows the continuous passage of users. The tripod arm is reset horizontal manually when the power is on again.

The simple and reliable mechanism allows up to 7 different configurations covering all the possible cases met in the pedestrian access control sector.

DESCRIPTION

1. Self-supporting housing made of 1.5mm-thick painted, folded and welded steel sheet (standard shade: RAL 5018, turquoise blue. Other optional colours).
2. Front and rear end sections made of AISI 316 stainless steel, fixed on the housing with inside locks. These end sections can be removed only if the upper hood is taken off.
3. Removable upper hood made of AISI 316 stainless steel with safety lock, giving access to the mechanism of the tripod and enabling the opening of the end sections.
4. Tripod mechanism with steel hub mounted on ball bearings, with black thermoformed ABS hub cover.
The electromagnets and locking cams mounted on selflubricating bushes lock the rotation of the tripod and hold the arm horizontally.

Thanks to the self-regulating hydraulic shock absorbers that cushion the movements of the tripod, the operation is silent, shock-free and the tripod slows down progressively.

5. Stainless steel articulated arms.
6. TR6 electronic control logic (see *technical data sheet n° 2-5301*).
7. Spaces available in each end section to integrate luminous orientation pictograms (see *technical data sheet n° 3-0001*).
8. Ground fixing planned for expansion bolts.
9. Space (to be customised according to the option) in each passage direction to incorporate user control device: card reader(s), coin acceptor(s), proximity reader(s), etc.

TREATMENT OF SURFACES

1. RUST-PROOF PROTECTION

Internal mechanical parts:

- protected by 15µm-thick yellow bichromate electrogalvanizing or by 20µm-thick cataphoresis.

Full housing:

- zinc phosphatisation,
- 20µm-thick cataphoresis (cathodic process).

2. PAINTING

Application of a 100µm-thick coat of standard powder paint (RAL 5018, turquoise blue). (Other optional shades to be mentioned on order).

Specifications subject to change without prior notice.

Automatic Systems's property. Copyright reserved.

TR491 TRIPOD TURNSTILE
WITH DROPPING ARMS

TECHNICAL DATA N° 2-1119

automatic
systems

A Member of the plettac Group

BENELUX - FRANCE - ITALY - SPAIN - UK - CANADA - USA

TECHNICAL FEATURES

- Power supply: single-phase 230V.
- Frequency: 50/60Hz.
- Control circuit: 24V DC.
- Electro-magnets: duty cycle 100%.
- Consumption: maximum 60W.
- Shock absorbers: hydraulic.
- Operation temperature: -20° to +50°C.
- Humidity level: 90%.
- Net weight: 96kg.
- Overall dimensions: see below.

OPTIONS

- Cut-outs in the end sections to integrate the customer's control device according to template and position to be communicated (*max. width: 190mm; max. depth: 200mm*).
- Standard Automatic Systems card reader(s), token or coin acceptor(s).
- Counting device per access lane and per controlled direction.
- Remote control of the turnstiles from the desk installed in a control booth.
- Orientation pictogram(s) with red cross and green arrow (*see technical data sheet n° 3-0001*).
- Remote control push button(s).
- Function indication lights.
- Thermostatically controlled heater.
- Dummy cabinet (empty extremity housing).
- Separation railing between turnstiles.
- **Fully** AISI 316 stainless steel housing.
- Other colour than the standard RAL shade for the finish paint (to be precised on order).

OPERATION

The TR491 turnstile authorises 3 different operation modes. This operation mode is to be defined precising the code number below for each passage direction A and B.

1. *Always free access.*
2. *Always mechanically blocked access.*
4. *Electrically controlled access.*

All above operation modes include the anti-panic function from the dropping arm device.

DEFINITION OF THE TURNSTILE

The TR491 turnstile is to be defined when ordering according to the selected operation mode.

Definition examples:

1. A turnstile is always free in direction A and electrically controlled in direction B:
A1-B4 TR491 turnstile.
2. A turnstile is always mechanically blocked in direction A and electrically controlled in direction B:
A2-B4 TR491 turnstile.

WORK TO BE DONE BY CUSTOMER

- Single-phase 6A 230V power supply + earth.
- Power cabling and connections to the control device.
- Masonry work and necessary sealing (see installation plan n° CH3668).

OVERALL DIMENSIONS

INSTALLATION OF THE TURNSTILES

