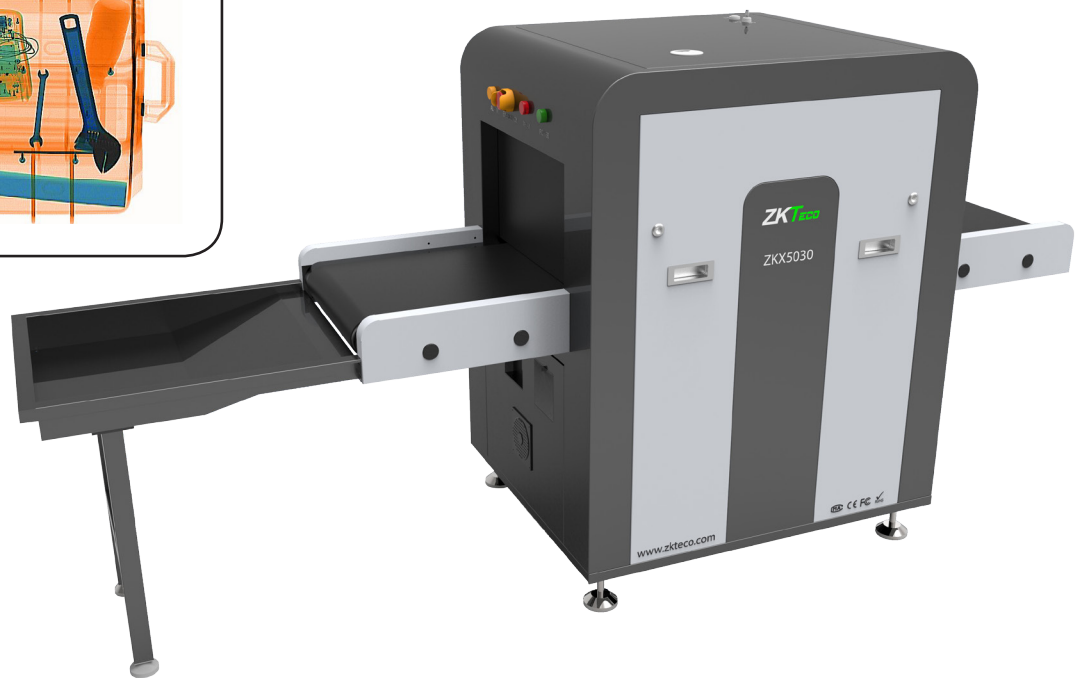
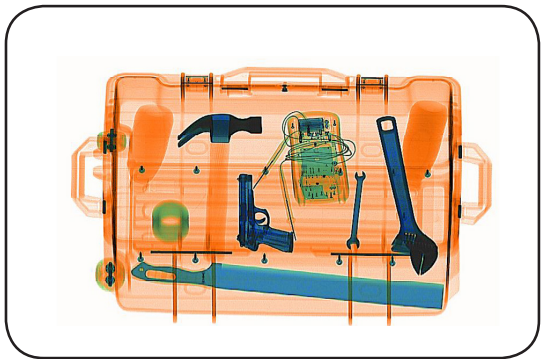


Dual Energy X-ray Inspection System

ZKX5030C



Highlights

- Innovative fingerprint identification
- Optional video surveillance system
- Widely usable for carry-on baggage
- Excellent, ergonomic industrial design

Introduction

ZKX5030C X-ray inspection system increases the operator's ability to identify potential threats; the device is designed to scan briefcases, carry-on baggage, small cargo parcels.

ZKX5030C uses reliable high quality dual energy X-ray generator. With the superb image algorithm, ZKX5030C could offer clear scanning image, which allows operators to identify potential threat items visually.

ZKX5030C has innovative biometric identify function for operators, improving the security of system and preventing operator from forgetting password.

With ergonomic modern design, ZKX5030C could help operators to identify suspicious items fast and accurately.

Specifications

| | |
|------------------------------------|---|
| Tunnel Size | W507mm × H305mm |
| Speed | 0.20 m/s |
| Height of Transmission Belt | 1000 mm |
| Maximum Load | ≤120 kg (Adequate distribution) |
| Wire Resolution | 38 AWG (0.1mm metal wire) |
| Space Definition | Horizontal Φ1.0mm \ Vertical Φ2.0mm |
| Penetrate Definition | 32 AWG |
| Penetration | 32mm Steel board |
| Monitor | 17 inch LED |
| System Function | High density alarm, Explosive/Drug auxiliary detect, TIP, Luggage counter, System running timer, X-ray emitting timer, System maintenance, Training |
| Optional Function | Video surveillance system, Bidirection scan, Electrical weighing system, Energy saving mode, Ultrasonic rat repellent |
| Film Safety | ASA/ISO1600 standard of film safety |

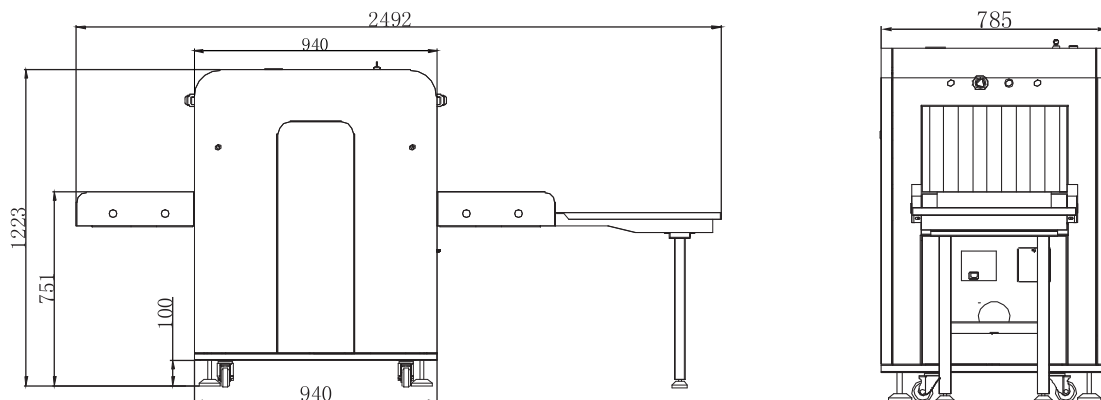
X-ray System

| | |
|--------------------------------------|----------------------------------|
| Tube Voltage | 140 Kv |
| Cooling | Seal oil cooling / 100% |
| Single Inspection Dosage Rate | ≤1.0 μ Gy |
| Radiation Leak Dosage | 0.1μ Gy/h (5cm from the surface) |

Installation Specification

| | |
|--------------------------|----------------------------|
| Package Size | L1990mm × W990mm × H1320mm |
| Package Weight | 450 KG |
| Power Consumption | 1 kVA |
| Noise | 53.8 dB(A) |

Dimension



More details

ZKTECO CO.,LTD.
www.zkteco.com
E-mail: sales@zkteco.com

© Copyright 2016. ZKTECO CO., LTD. ZKTECO Logo is a registered trademark of ZKTECO or a related company. All other product and company names mentioned are used for identification purposes only and may be the trademarks of their respective owners. All specifications are subject to change without notice. All rights reserved.

